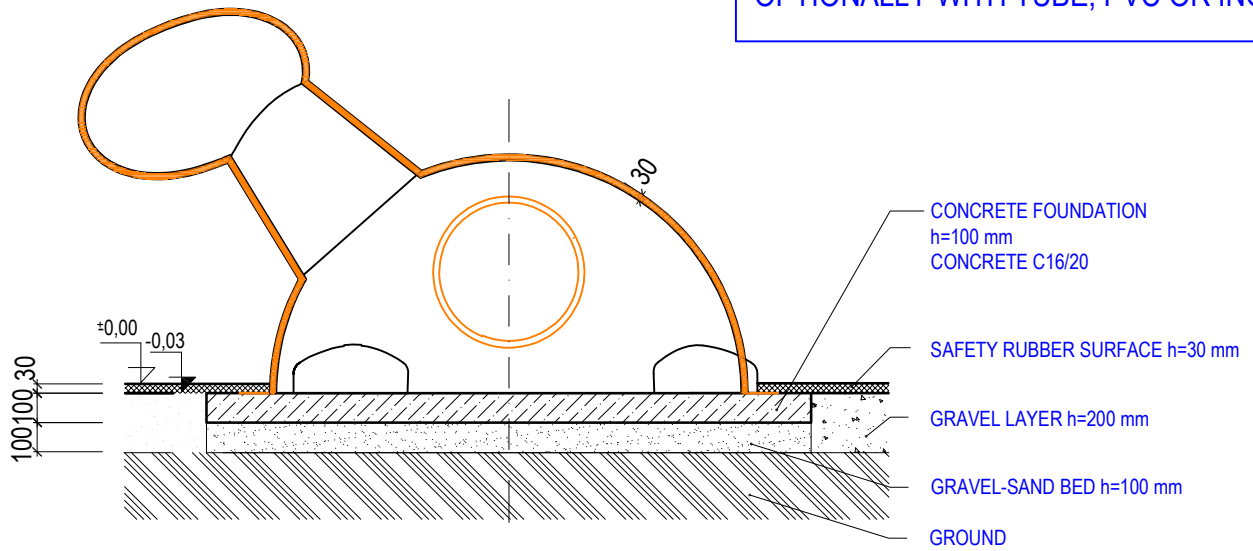
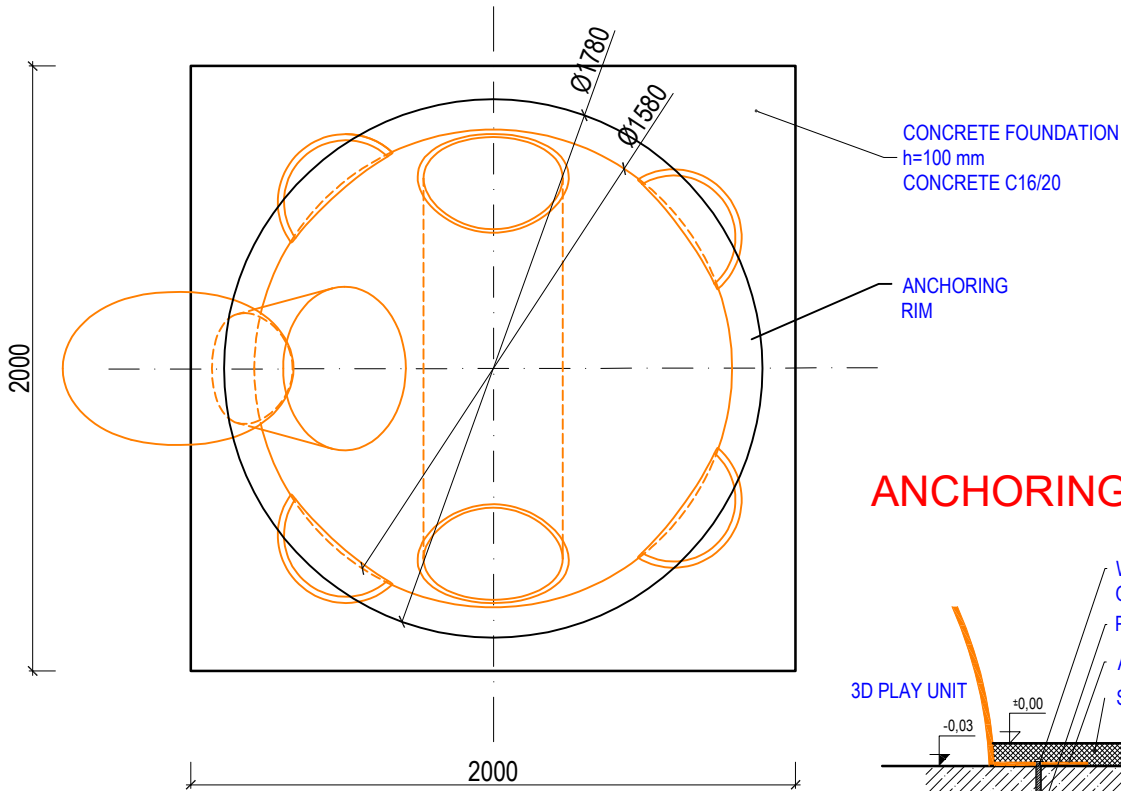


SECTION (1:25)

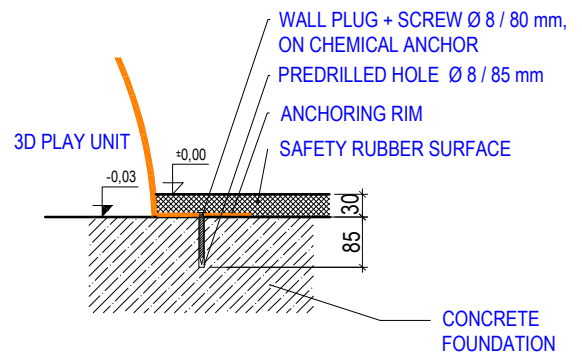
OPTIONALLY WITH TUBE, PVC OR INOX




FOUNDATION GROUND PLAN (1:25)



ANCHORING DETAIL (1:10)



PRODUCT HEIGHT VARIES BY MODEL

| | | | |
|--|--|--|---|
| Author: | | 3D PROGRAM, s.r.o. |  |
| Daniel Nad' | | Objizdná 1911 765 02 Otrokovice, Czech Republic | |
| | | Tel: +420 602 500 045 Email: info@3dprogram.eu | |
| <h1>TECHNICAL DRAWING</h1> | | Certified according to | EN71 , EN1176 |
| | | Date of issue | 18.12.2025 |
| APPLICABLE TO: C42, C43, C44, C45, C46 | | M 1:25, 1:10 | format 1xA4 |
| Foundation and anchoring - ground plan and section | | Cwn_EN.dwg | revision 0 |